



KIDDOM
Digital forward. Human first.

TX Math
Based on IM® Math



Math just got exponentially better

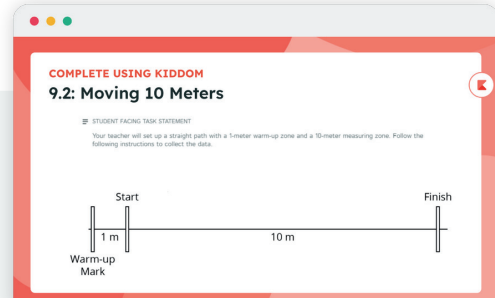
Available in Spanish*

Kiddom **Texas Math** based on IM® curriculum by Illustrative Mathematics® empowers students to learn mathematics through active problem-solving using their existing math knowledge, life experiences, and the world around them.

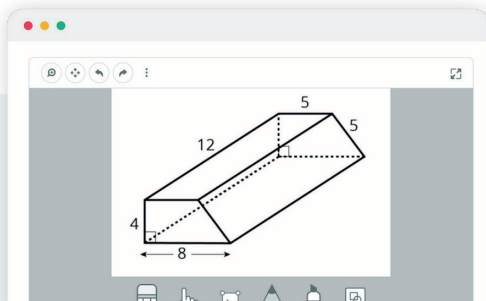
Designed to fully address the new TEKS, Kiddom **Texas Math** streamlines your lesson planning, supports teaching effectively, and gets you the data insights you need to make a difference. And that's not all—we are partners in your success through unparalleled customer service.



Beautifully printed student workbooks with perforations and teacher guides



Intuitive digital experience with standards-based reports & lesson presentations



Integrated tools like physical and digital manipulatives and more!



Stellar customer service, onboarding, and total lifecycle adoption support

Get more information:
<https://go.kiddom.co/math-tx>

What's included with Kiddom Texas Math

Curriculum & Planning	Instruction & Engagement	Assessment & Reporting
Print and dynamic digital versions of trusted curricula	Live classwork activities with real-time data	Multiple options for grading, including autograde and manual
Comprehensive, lesson plans and teacher resources built for the new TEKS	Ready-to-project lesson presentations in Google Slides	Formative and summative assessments
Editor rights for easy customization of content	Interactive student and teacher whiteboard	Standards-mastery reports for teachers and administrators
School/district-wide distribution of updated content versions	15 tech-enhanced question formats to enrich students' learning through the use of technology	Usage reports for administrators
High-quality onboarding and personalized support	Multi modal student response choices	Downloadable/shareable report cards on individual student progress
	Assignment and question level feedback	

Kiddom is a Partner in your success

- ✓ **Onboarding**
We help you get started with free implementation training
- ✓ **Ongoing support**
Live chat, self-serve knowledge base, webinars, and targeted professional learning
- ✓ **Continuous improvement**
New AI features like Practice Generator, Automatic Feedback & Scoring, and Lesson Clipper make teaching more effective and enhance the curriculum.

