



# Math just got exponentially better

Available in Spanish\*

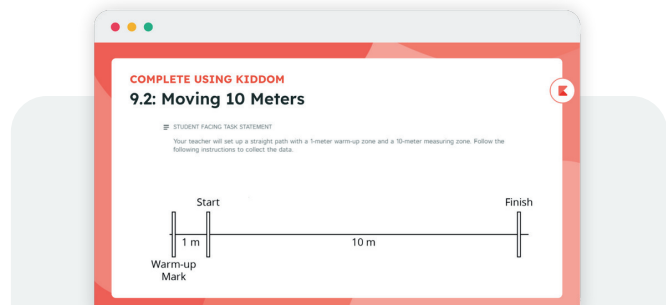
Kiddom **South Carolina** Math empowers students with the skills and confidence needed for college, career, and lifelong learning. Designed and fully aligned to meet the new 2025 SC College and Career Ready Mathematics Standards, Kiddom **South Carolina** Math promotes higher-order thinking by supporting inquiry-based learning, student choice, and skills crucial for creativity, innovation, and problem-solving.



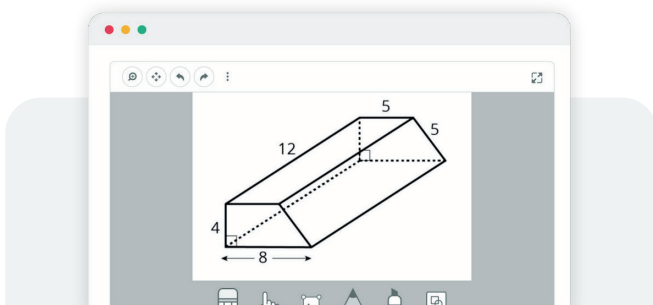
Streamline your lesson planning, support teaching effectively, and get the data insights you need to make a difference. And that’s not all—we are partners in your success through unparalleled customer service.



Beautifully printed student workbooks with perforations and teacher guides



Intuitive digital experience with standards-based reports & lesson presentations



Integrated tools like physical and digital manipulatives and more!



Stellar customer service, onboarding, and total lifecycle adoption support

# Kiddom South Carolina Math includes...

Curriculum & Planning	Instruction & Engagement	Assessment & Reporting
Print and dynamic digital versions of trusted curricula	Live classwork activities with real-time data	Multiple options for grading, including autograde and manual
Comprehensive, standards-aligned lesson plans and teacher resources	Ready-to-project lesson presentations in Google Slides	Formative and summative assessments
Editor rights for easy customization of content	Interactive student and teacher whiteboard	Standards-mastery reports for teachers and administrators
School/district-wide distribution of updated content versions	15 tech- enhanced question formats to enrich students' learning through the use of technology	Usage reports for administrators
High-quality onboarding and personalized support	Multi-modal student response options encouraging student choice	Downloadable/shareable report cards on individual student progress
	Assignment and question level feedback	

## Kiddom is a Partner in your Success

- ✓ **Onboarding**  
We help you get started with free implementation training
- ✓ **Ongoing support**  
Live chat, self-serve knowledge base, webinars, and targeted professional learning
- ✓ **Continuous improvement**  
New AI features like Practice Generator, Automatic Feedback & Scoring, and Lesson Clipper make teaching more effective and enhance the curriculum.

